

# RAMSES 718 P KNX

Item no.: 7189210

**theben**

KNX

Heizungs- und Klimaregelung

## Description

- Individual room thermostat
- For controlling heating actuators or motorised actuators
- Can be used as a continuous or two point control (can also be combined).
- Continuous PI control can be configured for 2 stage heating (basic and additional stage, e. g. underfloor heating and radiators) or for heating and cooling (radiators and cooling surfaces)
- Two front panels are included in delivery: a numerical scale and a relative scale
- Rotary control can be limited via parameters
- Manual override button for presence or operation modes: comfort, stand-by, temperature reduction at night, frost protection
- 4 binary inputs for conventional switches/sensors (switching, dimming, blinds), also for external temperature sensor, window contact or presence signal
- Temperature sensor can be connected to give remote temperature reading
- LED (red) for heating mode, (blue) for cooling mode, LEDs for operation mode



## Technical data

| RAMSES 718 P KNX            |  |
|-----------------------------|--|
| Operating voltage KNX       | Bus voltage, $\leq 12$ mA  |
| Type of connection          | Bus connection: KNX bus terminal  <br>Sensor connection: Terminal screws |
| Installation type           | Surface-mounted  |
| Display                     | LEDs   |
| Interface extension max.    | 30 m   |
| Ambient temperature         | 5°C ... 40°C   |
| Measuring range temperature | -5°C ... 45°C  |

| RAMSES 718 P KNX          |                              |
|---------------------------|------------------------------|
| Setting range temperature | 10°C ... 30°C                |
| Contact voltage           | 5 V Internal provided        |
| Contact current           | 0.5 mA                       |
| Number of inputs          | 4                            |
| Type of protection        | IP 20                        |
| Protection class          | III according to EN 60 730-1 |

Subject to technical changes and misprints

additional information at: [www.theben.de/product/7189210](http://www.theben.de/product/7189210)

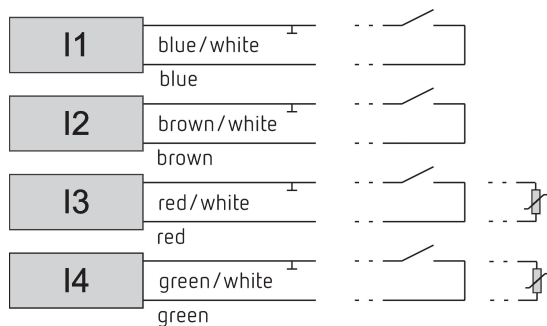
The load data are determined with exemplary selected illuminants and are therefore typical data due to the large number of available products.

# RAMSES 718 P KNX

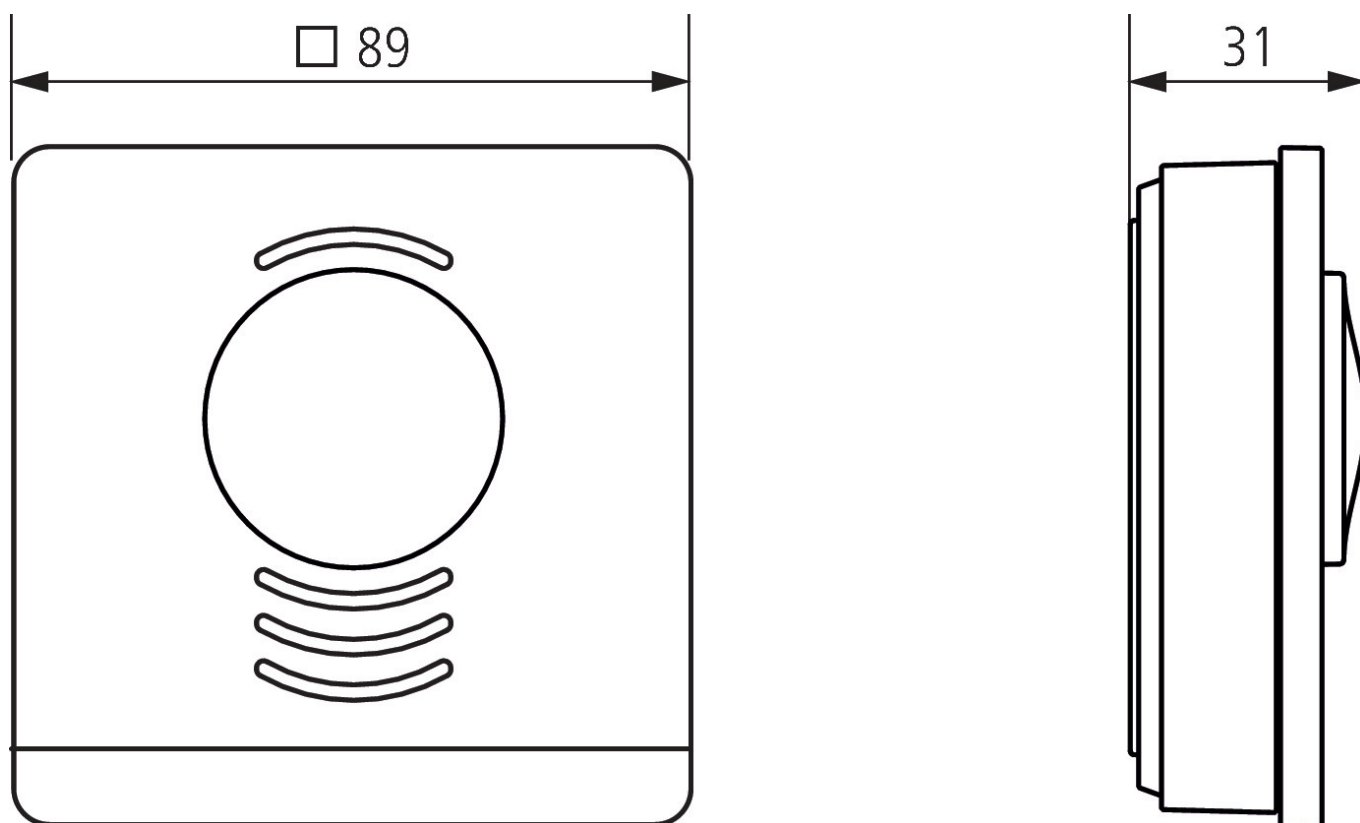
Item no.: 7189210

**theben**

## Connection example



## Scale drawings



Subject to technical changes and misprints

additional information at: [www.theben.de/product/7189210](http://www.theben.de/product/7189210)

The load data are determined with exemplary selected illuminants and are therefore typical data due to the large number of available products.

27/08/2022

Page 2 of 3

# RAMSES 718 P KNX

Item no.: 7189210



## Accessories

---

External temperature sensor 1

Item no.: 9070191



Temperature sensor

Item no.: 9070321



Temperature sensor RAMSES IP

65

Item no.: 9070459

